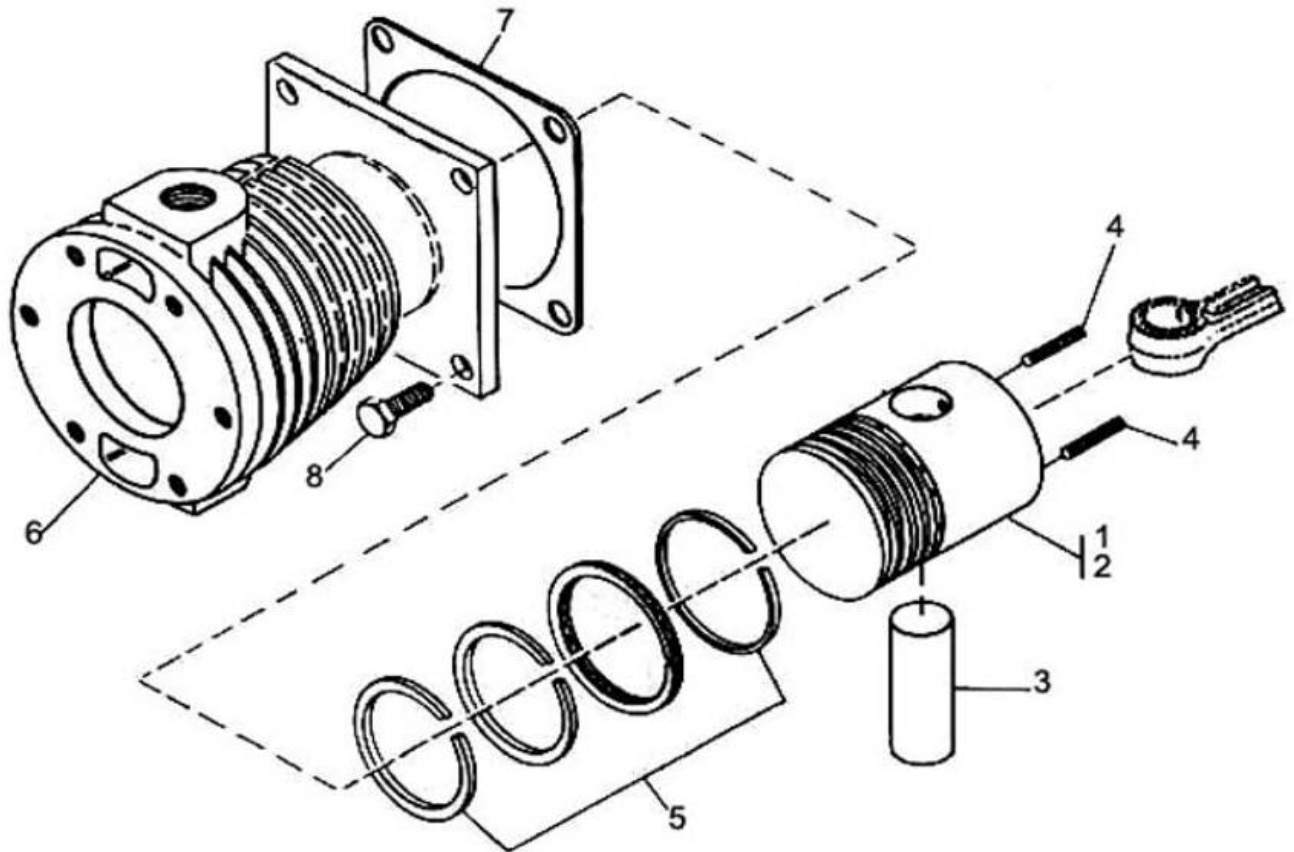


5. 3 Inch Diameter Piston & Cylinder Assembly Model 71T2



All manufacturer's names, numbers, photos, product description and/or part numbers are used for reference purposes only & it is not implied that any part listed is the product of these manufacturers. Since Approvement are made from time to time, the illustration and specifications are subject to change without notice.

5. 3 Inch Diameter Piston & Cylinder Assembly Model 71T2



REF. NO.	PART NUMBER	DESCRIPTION	CCN NUMBER	UNITS PER ASSY	REC SPARES		
					1	2	3
5-1	W75295T200R	Piston and rings complete	31517659	1			1
5-2	W75295T200	* Piston complete	30292460	1			
5-3	W21933	** Pin piston	30294029	1			
5-4	109A2A10	** Setscrew hollow head cup point	95065439	2	1	1	2
5-5	W114364T37A	* Set Piston ring	32015133	1			
5-6	W75296T341	Cylinder complete	30212112	1			
5-7	W21481	* Gasket cylinder flange	30294235	1	1	1	1
5-8	35A2C219N	Screw cap 1/2 X 1 1/4	95053575	4			

All manufacturer's names, numbers, photos, product description and/or part numbers are used for reference purposes only & it is not implied that any part listed is the product of these manufacturers. Since Approvement are made from time to time, the illustration and specifications are subject to change without notice.